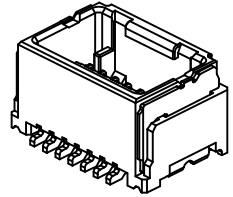
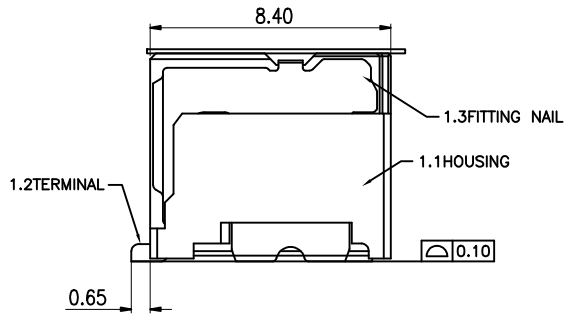
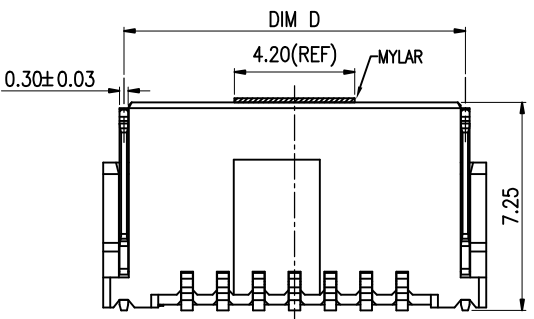


RECOMMENDED PCB LAYOUT (TOP VIEW)
GENERAL TOLERANCE ±0.05



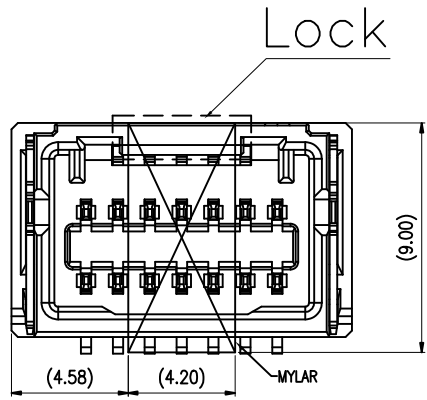
- NOTES:
- MATERIAL AND COLOR:
 - HOUSING: THERMOPLASTIC, HIGH TEMP.,UL94V-0.
 - CONTACT: COPPER ALLOY.
 - FITTING NAIL: COPPER ALLOY.
 - FINISH: PLEASE REFER TO THE PART NUMBER
 - CONTACT:
 - 50u" MIN. NICKEL UNDERPLATING OVERALL.
 - N:100u" MIN. MATTE TIN ON CONTACT AND SOLDER AREA.
 - B: 5u" MIN GOLD ON CONTACT AND 120u" MIN MATTE TIN ON SOLDER
 - D: 30u" MIN GOLD ON CONTACT AND 80~120u" MATTE TIN ON SOLDER
 - FITTING NAIL:
 - 50u" MIN. NICKEL UNDERPLATING OVERALL.
 - 100u" MIN. MATTE TIN PLATING
 - REFLOW SOLDER CAPABLE TO 260°C PER ACES SPEC.
 - SPEC. PLS REFER TO PS-52231-XXXXX-XXX
 - PACKAGE PLS. REFER TO 52231-XXXXX-U-TRP.
 - PART NUMBER

52231-XXX X X-XXX	
XXX	Housing color
001	BLACK
002	NATURAL

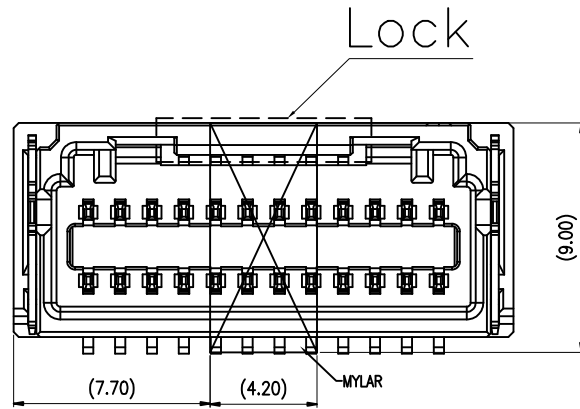
CKTS PLATING
 PACKING N: MATTE TIN
 0: TAPE & REEL B: 5u" MIN GOLD ON CONTACT (LEAD FREE)
 4: TAPE & REEL WITH MYLAR D: 30u" MIN GOLD ON CONTACT (LEAD FREE)

CKT	DIM A	DIM B	DIM C	DIM D
010	10.85	6.45	5.00	9.40
014	13.35	8.95	7.50	11.90
016	14.60	10.20	13.15	13.15
024	19.60	15.20	13.75	18.15
030	23.35	18.95	17.50	21.90

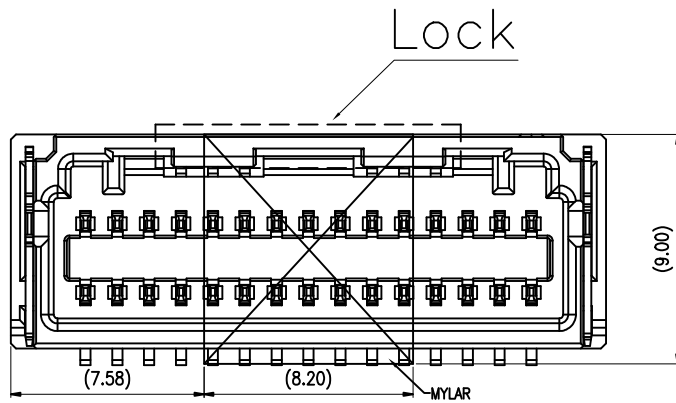
QUALITY SYMBOLS	DRAWN BY Wan.Bo	DATE 23/09/15	ACES ELECTRONICS	
MAJOR Ⓢ	CHECKED BY	DATE		
CRITICAL Ⓢ	BRAVE	23/09/15	TITLE MICRO-LOCK 1.25mm Pitch WTB. SMT D/R Type	
GENERAL TOLERANCES (UNLESS SPECIFIED)	APPROVED BY	DATE		
X. ±0.50	BRAVE	23/09/15	UNITS mm	SIZE A4
.X ±0.25			SCALE 1:1	RFQ NO. NA
.XX ±0.15			SHEET NO. 1 OF 2	REV E
.XXX ±0.10				DWG NO. 52231-XXXXX-XXX
ANGLES ±2°				



8~14PIN



16~24PIN



26~32PIN

QUALITY SYMBOLS MAJOR Ⓢ CRITICAL Ⓢ GENERAL TOLERANCES (UNLESS SPECIFIED) .X ±0.50 .X ±0.25 .XX ±0.15 .XXX ±0.10 ANGLES ±2°	DRAWN BY Wan.Bo	DATE 23/09/15			
	CHECKED BY BRAVE	DATE 23/09/15			TITLE MICRO-LOCK 1.25mm Pitch WTB. SMT D/R Type
	APPROVED BY BRAVE	DATE 23/09/15	UNITS mm		SIZE A4
	SCALE 1:1	SHEET NO. 2 OF 2	REV E	RFQ NO. NA	DWG NO. 52231-XXXXX-XXX